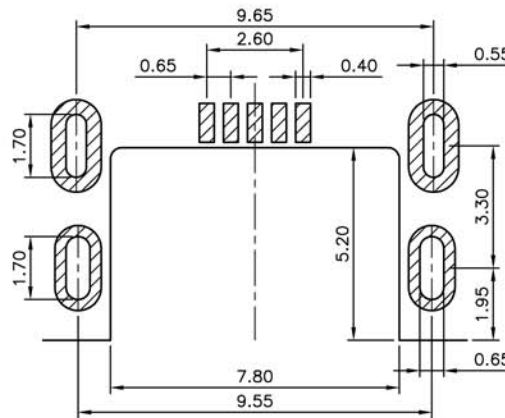
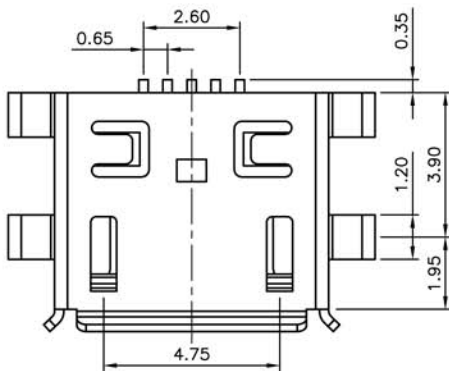




RoHS  
Compliant  
2002/95/EC

REV.	ECN. NO.	APPD.



RECOMMENDED PCB LAYOUT  
(TOL:±0.05)

**Specification**

**\*Electrical Characteristics:**

Contact Current Rating:1.0A(2.3.4pin);1.8A(1.5pin)  
Dielectric Withstanding Voltage:AC 100V R.M.S.  
Insulation Resistance:100MΩ Min.  
Contact Resistance:30mΩ Max.

**\*Environmental:**

Operating Temperature:-20°C~+80°C.

**\*Mechanical Characteristics:**

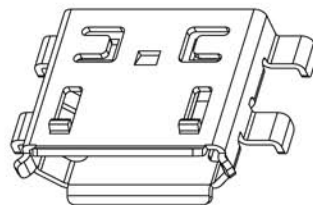
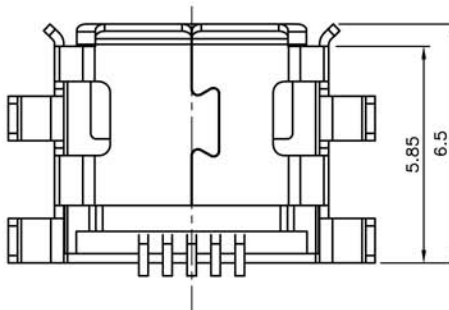
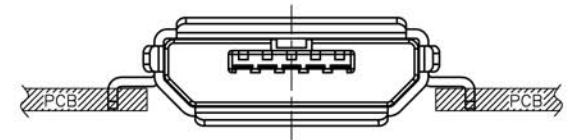
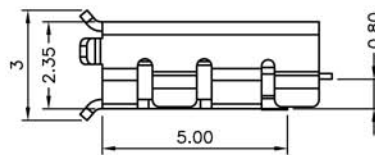
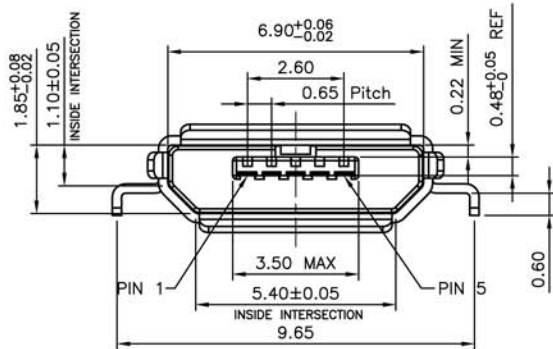
Matching Cycles:6000 Cycles.  
Contact Insertion Force:35N Max.  
Contact Separation Force:8N Min.

**\*Material:**

Housing:Hi-Temp UL 94V-0 Rated.  
Contact:Phosphor Bronze(t=0.15mm).  
Shell:SUS304(t=0.25mm).

**\*Finish:**

Shell:Plated Nickel or Tin over all.  
Contact:Plated Au 1u" over all.



X.±0.3	X.' ±4'	UNITS	mm
.X±0.20	.X' ±2'	MAT'L	
.XX±0.10	.XX'	FINISH	
.XXX ±0.05	.XXX'		
THESE DRAWINGS AND SPECIFICATIONS ARE THE PROPERTY OF FUERCNN ELECTRONICS CO.,LTD. AND SHALL NOT BE REPRODUCED, COPIED OR USED IN ANY MANNER WITHOUT THE PRIOR WRITTEN CONSENT OF FUERCNN ELECTRONICS CO.,LTD		Q'TY	

TITLE: Micro usb 5pin offset 0.8 socket		PART NO.: 301ETC-05FLBG1SS4N0	
DR: <i>Candy Lee</i>		DWG NO.: 301ETC-05F	
CHKD: <i>Sandy</i>	APPD: <i>Leon</i>	SCALE 1:1	SHEET 1/1
		REV. XA	CUSTOMER DRAWING